

Bedrooms by feather & black

Bedstead Assembly Guide

**IMPORTANT - PLEASE READ CAREFULLY
AND RETAIN FOR FUTURE REFERENCE.**

Please take a few minutes to read these instructions

This product contains small parts, keep small children clear of the assembly area.

PRODUCT SAFETY

- All assembly fastenings should always be tightened properly and care should be taken that no fittings are loose.
- Periodically check and ensure that all components are in their proper position, free from damage, and that all connectors are tight.

PRODUCT CARE



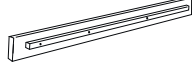
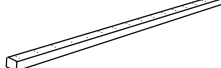



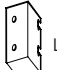
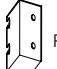


- FABRIC - We recommend vacuuming gently on a regular basis.
- Do not use abrasives or cleaning products which may contain ammonia or solvents.
- Take care when handling or moving the furniture. Careless handling can damage wooden furniture, try to lift rather than drag.

Antoinette, Cameron, Farrington, Juliette, Manhattan, Montague & Soho Bedstead Assembly.

Please follow these instructions if you have one of the above bedsteads.

Before you get started:

- The legs are not fitted to the frame.
- Assembly requires 2 people.

	Parts	QTY
A		x1
B		x1
C		x2
D		x1
E		SIZE 135x190 - x28 SIZE 150x200 - x30 SIZE 180x200 - x30
F		SIZE 135x190 - x14 SIZE 150x200 - x15 SIZE 180x200 - x15
G		x4
H		x2
I		x2
J		x16
K		x1

Slat Size

4'6 (Double)	677 x 63 x 8 mm
5' (King)	750 x 63 x 8 mm
6' (Super King)	903 x 63 x 8 mm

